

FINEMET™
EMC Components



FT-3KM F series
Common mode choke cores for low audible noise

FT-3KM F series cores for low audible noise type common mode chokes are made from a nanocrystalline soft magnetic material called FINEMET™ FT-3M. FT-3M has near zero magnetostriction and high permeability, which allows significant reduction of audible noise emission and excellent performance in RF noise suppression.



Materials Mag!c
Hitachi Metals

1. Features

1. FINEMET FT-3 has lower magnetostriction than FT-1 and as a result has less audible noise emission.
2. FINEMET FT-3 has excellent audible and RF noise suppression performance due to its high impedance relative permeability, when compared to Mn-Zn and Ni-Zn ferrite cores at frequency range of 10kHz to 100MHz.
3. FINEMET FT-3 has stable temperature characteristics for relative permeability μ_r (less than +/-10% at temperature range of -40°C to 130°C) and its aging effects are very small when compared to Co-based amorphous metal.

2. Major applications

Inverters, applications using inverters (elevator, liquid pump, air conditioner, robot, machine tool, welding equipment, etc.), AC servo, switch mode power supply for networking, medical equipment, UPS, etc.

3. Example of noise level chart

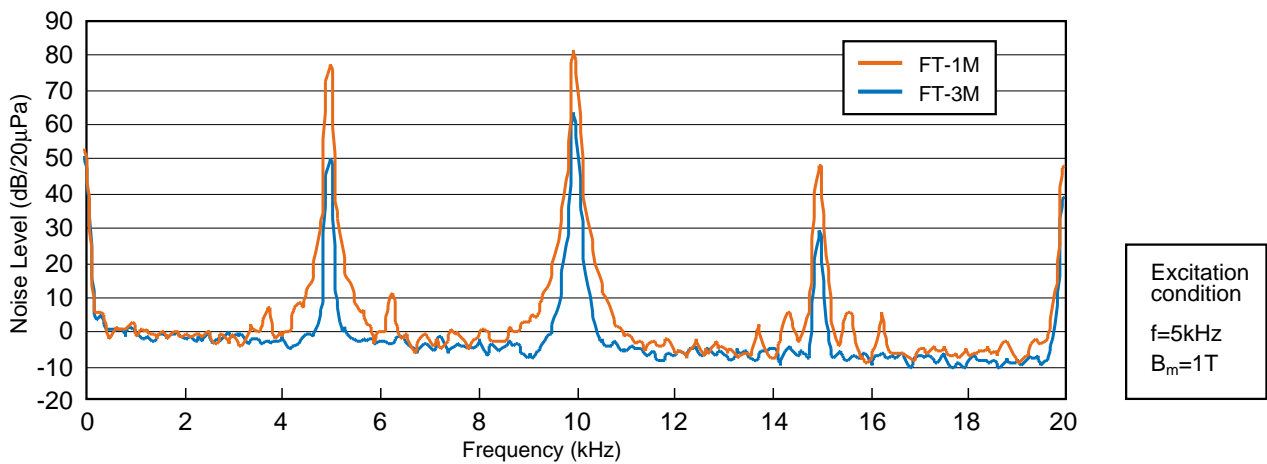


Fig. 1 Noise level at audio frequency drive

4. Frequency dependence of impedance relative permeability μ_{rz}

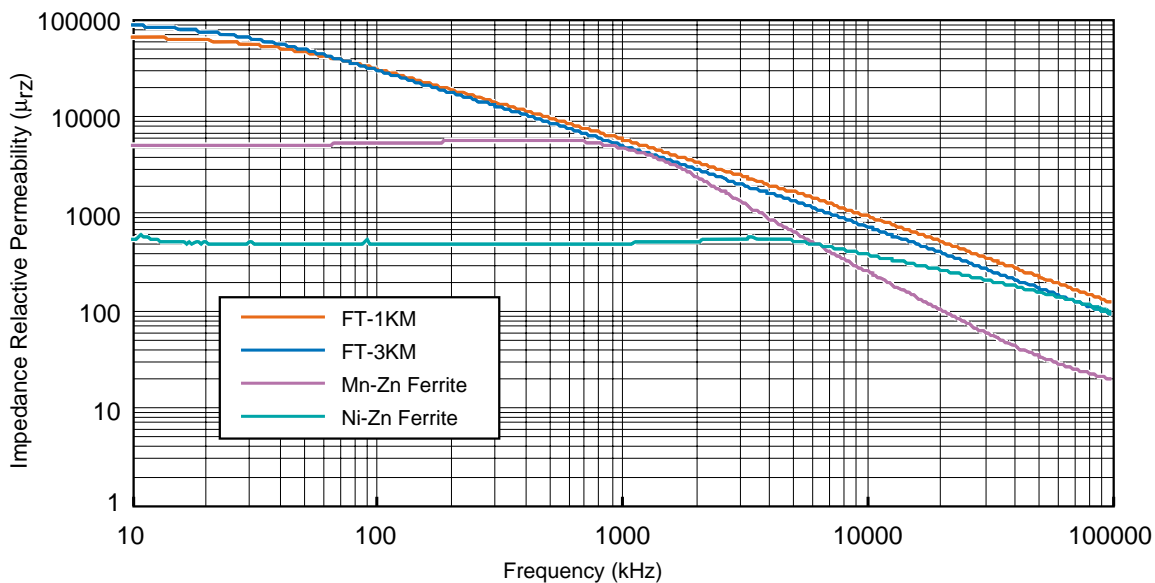


Fig. 2 permeability μ_{rz}

5. Standard specifications

Table 1 P/N and specifications (for toroidal type)

Product code	P/N	Finished dimensions (mm)			A _e (mm ²) TYP.	l _e (mm) TYP.	Weight (g) TYP.	AL Value (μH/N ²)	
		A	B	C				10kHz	100kHz
F1AH0047	FT-3KM F2515D	28.0 ±0.5	16.8 ±0.7	12.8 ±0.5	46.9	62.8	25	42.0 ~ 100	16.9 ±30%
F1AH0048	FT-3KM F3320E	35.8 ±0.5	17.5 ±0.7	17.3 ±0.5	73.1	83.3	49	49.7 ~ 120	19.9 ±30%
F1AH0049	FT-3KM F3724E	40.0 ±0.5	17.6 ±0.7	21.1 ±0.5	73.1	95.8	59	43.0 ~ 100	17.3 ±30%
F1AH0050	FT-3KM F4424G	46.5 ±0.6	22.8 ±0.6	21.5 ±0.5	142.5	106.8	123	75.4 ~ 180	30.2 ±30%
F1AH0018	FT-3KM F4535G	49.0 ±0.5	25.0 ±0.7	31.0 ±0.5	75.0	125.7	89	34.0 ~ 80	13.5 ±30%
F1AH0051	FT-3KM F4627H	50.0 ±0.7	28.2 ±1.0	23.4 ±0.5	178.1	114.7	168	89.2 ~ 210	35.1 ±30%
F1AH0019	FT-3KM F6045G	64.0 ±0.7	25.0 ±1.0	41.0 ±0.7	112.5	164.9	162	39.0 ~ 90	15.4 ±30%
F1AH0020	FT-3KM F7555G	79.0 ±0.7	25.0 ±0.7	51.0 ±0.7	150.0	204.2	267	42.0 ~ 100	16.6 ±30%
F1AH0052	FT-3KM F10080G	104.0 ±0.7	25.0 ±0.7	76.0 ±0.7	138.8	285.1	336	30.0 ~ 65	12.0 ±30%
F1AH0023	FT-3KM F140100	144.0 ±1.0	35.0 ±1.0	96.0 ±0.7	427.5	380.1	1335	63.0 ~ 150	24.8 ±30%
F1AH0024	FT-3KM F200160	204.0 ±1.0	35.0 ±1.0	156.0 ±1.0	427.5	568.6	1875	42.0 ~ 100	15.1 +50%, -30%

Table 2 P/N and specifications (base combined & base plate type)

Product code	P/N	Finished dimensions (mm)								
		A MAX.	B MAX.	C MAX.	D ±0.5	E ±0.3	F ±0.5	G ±0.5	H ±0.5	K MIN.
F1AH0026	FT-3KM F6045GB	95.0	26.0	78.0	80.0	12.5	72.0	50.0	7.0	39.5
F1AH0027	FT-3KM F7555GB	121.0	30.0	100.0	100.0	–	–	–	–	50.0
F1AH0053	FT-3KM F10080GB	161.0	32.0	122.0	140.0	–	–	–	–	75.0
F1AH0029	FT-3KM F11080GB	181.0	26.0	131.0	150.0	12.5	124.0	100.0	20.0	74.0
F1AH0031	FT-3KM F140100PB	181.0	42.0	162.0	160.0	–	–	–	–	95.0
F1AH0032	FT-3KM F200160PB	241.0	42.0	217.0	220.0	–	–	–	–	155.0

	P/N	A _e (mm ²) TYP.	l _e (mm) TYP.	Weight (g) TYP.	Applied screw		AL value (μH/N ²)		Shape
					I	J	10kHz	100kHz	
F1AH0026	FT-3KM F6045GB	112.5	164.9	193	M4	M5	39.0 ~ 90	15.4 ±30%	Fig. 4
F1AH0027	FT-3KM F7555GB	150.0	204.2	377	–	M6	42.0 ~ 100	16.6 ±30%	Fig. 5
F1AH0053	FT-3KM F10080GB	138.8	285.1	516	–	M6	30.0 ~ 65	12.0 ±30%	Fig. 5
F1AH0029	FT-3KM F11080GB	213.8	300.8	613	M5	M6	40.2 ~ 95	16.1 ±30%	Fig. 4
F1AH0031	FT-3KM F140100PB	427.5	380.1	1595	–	M6	63.0 ~ 150	24.8 ±30%	Fig. 5
F1AH0032	FT-3KM F200160PB	427.5	568.6	2235	–	M6	42.0 ~ 100	15.1 +50%, -30%	Fig. 5

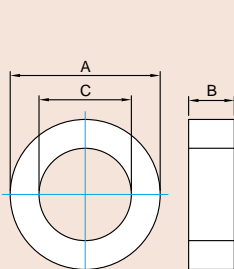


Fig.3 Toroidal type

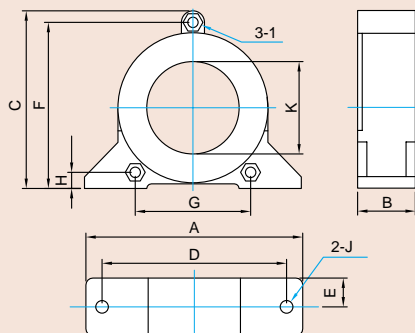


Fig.4 Base combined type

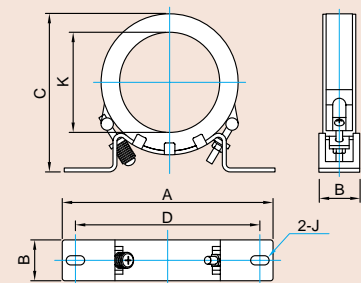


Fig.5 Base plate type

Hitachi Metals, Ltd.

FINEMET Business Development Office

Head Office

2-1 Shibaura 1-chome, Seavans North Bldg.
Minato-ku, Tokyo 105-8614, Japan
Tel:+81-3-5765-4041 Fax: +81-3-5765-8313

Kansai Sales Office

5-29 Kitahama 3-chome, Nissei Yodoyabashi building
Chuo-ku, Osaka 541-0041, Japan
Tel:+81-6-6203-9751 Fax:+81-6-6222-3414

Chubu-Tokai Sales Office

6-18 Meikei 4-chome, Nagoya building, Nakamura-ku
Nagoya-shi, Aichi 450-0002, Japan
Tel:+81-52-582-3378 Fax:+81-52-583-8010

Hitachi Metals America, Ltd.

Chicago Office

2101 South Arlington Heights Road, Suite 116
Arlington Heights, IL 60005-4142, U.S.A
Tel:+1-847-364-7200 Fax:+1-847-364-7279

Hitachi Metals Europe GmbH

Head Office

Immermannstrasse 14-16,
40210 Duesseldorf, Germany
Tel:+49-211-16009-53 Fax:+49-211-16009-60

Hitachi Metals Singapore Pte. Ltd.

12 Gul Avenue, Singapore 629656
Tel:+65-6861-7711 Fax:+65-6861-9554

Hitachi Metals Hong Kong Ltd.

Room 1107, 11/F., West Wing
Tsim Sha Tsui Centre
66 Mody Road, Tsimshatsui East
Kowloon, Hong Kong
Tel:+852-2724-4183 Fax:+852-2311-2095

- This catalog does not give all specifications for these products. Please refer to other Hitachi Metals' handling manuals and product specifications before using our products.
- This catalog and its contents are subject to change without notice.
- Above contact addresses are as of April 2003. The addresses are subject to change without notice.
- If you find difficulty contacting Hitachi Metals, please contact below:
Hitachi Metals Ltd. Corporate Communication Group .
Tel : +81-3-5765-4076 Fax : +81-3-5765-8312
E-mail : hmcc@hitachi-metals.co.jp

NOTICE

1. Information in this catalog does not grant patent right copyright, trade mark right and intellectual property rights of Hitachi Metals or that of third parties. Hitachi Metals disclaims all liability arising out using information in this catalog for any case of patent right, copyright or intellectual property rights of third parties.
2. This catalog and its contents are subject to change without notice; specific technical characteristics are subject to consultation and agreement.
3. Please consult Hitachi Metals in advance when you consider applications related to special fields which require high reliability and quality, and whose application is potentially life threatening or could lead to physical harm in the event of a malfunction. Such fields may be : space science, aviation, nuclear energy, combustion control, transportation, safety devices and medical equipment.
4. Please use our products only as specified by Hitachi Metals. Hitachi Metals will not take any responsibility for use of our products beyond what is specified by Hitachi Metals. Regardless of specifications given by Hitachi Metals, please consult us in advance for examining and preparing for potential incident and failure modes through the use of Hitachi Metals' products and please take all precautions necessary to avoid any problem; smoking, combustion, threatening, and others. Hitachi Metals will not take any responsibility for indirect damage caused by design defect using our products.
5. The products are not radiation proof designed.
6. Do not duplicate in part or in its entirely this catalog without written permission from Hitachi Metals.
7. Please contact our local sales office for any inquiry.